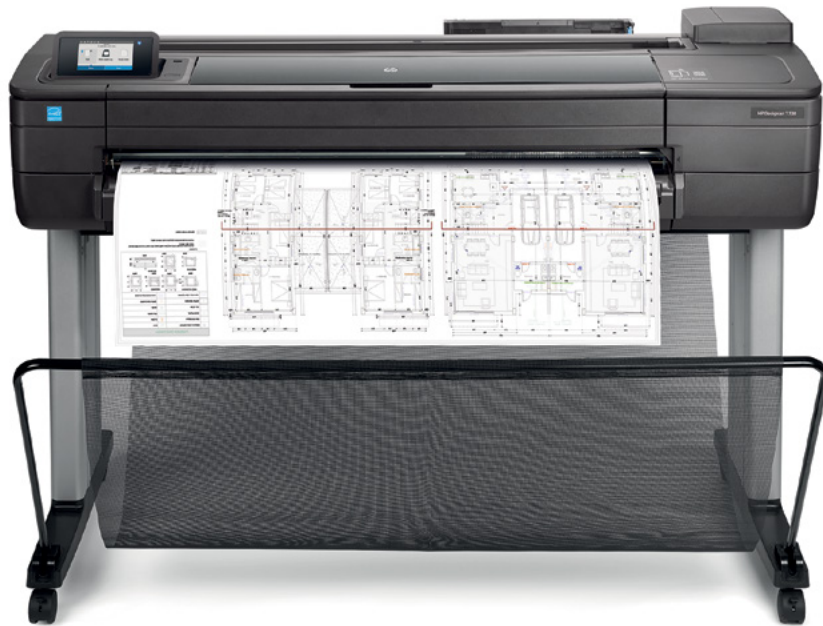




HP DesignJet T730 Printer

A smart investment for small businesses

36-inch, robust and compact Wi-Fi printer for CAD and general-purpose applications



SMART—Invest in a robust printer

- Robust, compact, and professional—this printer fits your business and gives you space to work
- Produces prints 3 times faster than previous HP models—see A1/D-size prints delivered in 25 seconds
- Choose from 40- to 300-ml HP ink cartridges to fit your print volume, large supplies can reduce interventions

EASY—Convenient printing helps reduce time, waste

- Cut waste by 50%—print at half scale with automatic sheet feeder/tray; cut extra work, waste of wide rolls¹
- The front panel works like a smartphone—easily swipe through the intuitive user interface on the touchscreen
- No LAN needed—move this printer any time, any place your Wi-Fi signal can reach with wireless connectivity²

MOBILE—Easily print from smartphone or tablet²

- Print from mobile devices in a few simple clicks with HP Mobile Printing²—quickly work through revisions
- If you're on-the-go, attach your document to an email and send it directly to your printer via ePrint²
- Use the HP AiO Printer Remote app^[3] to access additional print features when printing from a mobile device
- The printer creates its own Wi-Fi network for easy connectivity with Wi-Fi Direct

¹ Printing on sheets eliminates the extra work and cutting waste of printing on performance equivalent roll-based printers in the market as of September, 2015. For example, printing at half scale (13.5 inches) on a typical (36-inch) roll results in over 50% paper waste and additional labor to cut.

² Local printing requires mobile device and printer to be on the same network (usually Wi-Fi access points bridge wireless to wired connections) or have a direct wireless connection. Wireless performance is dependent on physical environment and distance from access point. Wireless operations are compatible with 2.4 GHz operations only. Remote printing requires an Internet connection to an HP web-connected printer. Wireless broadband use requires separately purchased service contract for mobile devices. Check with service provider for coverage and availability in your area. See hp.com/go/designjetmobility for more details.

³ The HP All-in-One Printer Remote mobile app is available for Apple® iPad, iPhone, and iPod Touch running iOS v7.0 or later and for Android™ mobile devices running Android™ v4.4 or later. The HP All-in-One Printer Remote mobile app is available for free from the Apple® App Store for Apple® mobile devices and from the Google Play Store for Android™ mobile devices.

Large Document Solutions

(303) 773-9015 • (866) 338-4464 toll-free • info@largedocuments.com • www.largeformatscanners.com

Technical specifications

| | | |
|-------------------------------|---|--|
| Print | Line drawings ⁴ | 25 sec/page on A1/D, 82 A1/D prints per hour |
| | Print resolution | Up to 2400 x 1200 optimized dpi |
| | Margins (top x bottom x left x right) | Roll: 5 x 5 x 5 mm (0.2 x 0.2 x 0.2 x 0.2 in) Sheet: 5 x 5 x 5 mm (0.2 x 0.2 x 0.2 x 0.2 in) |
| | Technology | HP Thermal Inkjet |
| | Ink types | Dye-based (C, M, Y); pigment-based (mK) |
| | Ink drop | 6 pl (C, M, Y); 12.6 pl (mK) |
| | Printheads | 1 (C, M, Y, mK) |
| | Line accuracy | +/- 0.1% ⁵ |
| | Minimum line width | 0.02 mm (0.0008 in) (HP-GL/2 addressable) |
| | Guaranteed minimum line width | 0.07 mm (0.0028 in) (ISO/IEC 13660:2001(E)) ⁶ |
| Media | Handling | Sheet feed, roll feed, input tray, media bin, automatic cutter |
| | Size | Rolls: 279 to 914 mm (11 to 36 in) Sheets: 210 x 279 to 914 x 1897 mm (8.3 x 11 to 36 x 74.7 in) Standard sheets: A4, A3, A2, A1, A0 (A, B, C, D, E) |
| | Thickness | Up to 0.3 mm (11.8 mil) |
| Applications | Line drawings, Renderings, Presentations | |
| Memory | 1 GB | |
| Connectivity | Interfaces (standard) | Gigabit Ethernet (1000Base-T), Wi-Fi, Hi-Speed USB 2.0 certified connector |
| | Print languages (standard) | HP-GL/2, HP-RTL, TIFF, JPEG, CALS G4, HP PCL 3 GUI, URF |
| | Printing paths | Windows and Mac printer drivers, Apple AirPrint driver, print from USB pen drive |
| | Mobile printing capability features | Wi-Fi Direct and local Wi-Fi connectivity to enable mobile printing via HP ePrint, Apple AirPrint™ and HP All-in-One printer remote App. Supports printing from most smartphones and tablets using these operating systems: Android, iOS |
| | Drivers (included) | HP-GL/2, HP-RTL drivers for Windows; HP PCL 3 GUI driver for Mac OS X and Windows |
| Dimensions (w x d x h) | Printer | 1403 x 583 x 1155 mm (55.2 x 23 x 45.5 in) |
| | Shipping | 1578 x 575 x 646 mm (62.5 x 22.6 x 25.4 in) |
| Weight | Printer | 48 kg (105.8 lb) |
| | Shipping | 70 kg (154.3 lb) |
| What's in the box | HP DesignJet T730 Printer, printhead, ink cartridges, printer stand, spindle, quick reference guide, setup poster, startup software, power cord | |
| Environmental ranges | Operating temperature: | 5 to 40°C (41 to 104°F) |
| | Storage temperature: | -25 to 55°C (-13 to 131°F) |
| | Operating humidity: | 20 to 80% RH |
| Acoustic | Sound pressure: 48 dB(A) (printing); < 16 dB(A) (sleep) | |
| | Sound power: 6.5 B(A) (printing); < 3.4 B(A) (sleep) | |
| Power consumption | 35 watts (printing), 3.5 watts (sleep), 0.2 watts (standby) | |
| | Input voltage (auto ranging): 100 to 240 VAC (+/- 10%), 50/60 Hz (+/- 3 Hz), 1.2 A max | |
| Certification | Safety | USA and Canada (CSA certified), EU (LVD and EN 60950-1 compliant), Russia (GOST), Singapore (PSB), China (CCC), Mexico (NYCE), India (BIS) |
| | Electromagnetic | Compliant with Class B requirements, including: USA (FCC rules), Canada (ICES), EU (EMC/R&TTE Directives), Australia (ACMA), New Zealand (RSM), China (CCC), Japan (VCCI); Certified as Class A product: Korea (KCC) |
| | Environmental | ENERGY STAR, EPEAT Silver, CE marking (including RoHS, WEEE, REACH). In compliance with WW RoHS materials restriction requirements in China, Korea, India, Vietnam, Turkey, Serbia, and Ukraine. |
| Warranty | One-year limited warranty. Warranty and support options vary by product, country and local legal requirements. | |



⁴ Mechanical printing time. Printed in Fast mode with Economode on, using HP Bright White Inkjet Paper (bond) and Original HP inks.

⁵ +/-0.1% of the specified vector length or +/-0.2 mm (whichever greater) at 23°C (73°F), 50-60% relative humidity, on A0/E HP heavyweight media in Best or Normal mode with HP Matte Film.

⁶ Measured on HP Matte Film.

⁷ Available as of January, 2016.

⁸ Available as of March 2016.

⁹ BMG trademark license code FSC®-C115319, see fsc.org. HP trademark license code FSC®-C017543, see fsc.org. Not all FSC®-certified products are available in all regions. For information about HP large format printing materials, please visit HPLFMedia.com.

Ordering information

| | | |
|--|--|--|
| Product | F9A29A | HP DesignJet T730 36-in Printer |
| Accessories | B3Q37A | HP DesignJet 36-in Spindle |
| | N7P47AA | HP USB 3.0 to Gigabit Adapter |
| | N9M07A | HP DesignJet Rugged Case ⁷ |
| Original HP printhead | F9J81A | HP 729 DesignJet Printhead Replacement Kit |
| Original HP ink cartridges | F9J61A | HP 728 40-ml Yellow DesignJet Ink Cartridge |
| | F9J62A | HP 728 40-ml Magenta DesignJet Ink Cartridge |
| | F9J63A | HP 728 40-ml Cyan DesignJet Ink Cartridge |
| | F9J64A | HP 728 69-ml Matte Black DesignJet Ink Cartridge |
| | F9J65A | HP 728 130-ml Yellow DesignJet Ink Cartridge |
| | F9J66A | HP 728 130-ml Magenta DesignJet Ink Cartridge |
| | F9J67A | HP 728 130-ml Cyan DesignJet Ink Cartridge |
| | F9J68A | HP 728 300-ml Matte Black DesignJet Ink Cartridge |
| | F9K15A | HP 728 300-ml Yellow DesignJet Ink Cartridge ⁸ |
| | F9K16A | HP 728 300-ml Magenta DesignJet Ink Cartridge ⁸ |
| Original HP large format printing materials | F9K17A | HP 728 300-ml Cyan DesignJet Ink Cartridge ⁸ |
| | C1861A | HP Bright White Inkjet Paper (FSC® certified) ⁹ ♻️ ¹⁰ 914 mm x 45.7 m (36 in x 150 ft) |
| | Q1397A | HP Universal Bond Paper (FSC® certified) ⁹ ♻️ ¹⁰ 914 mm x 45.7 m (36 in x 150 ft) |
| | Q1413B | HP Universal Heavyweight Coated Paper (FSC® certified) ⁹ ♻️ ¹⁰ 914 mm x 30.5 m (36 in x 100 ft) |
| Service and support | Q1421B | HP Universal Satin Photo Paper (FSC® certified) ⁹ ♻️ ¹¹ 914 mm x 30.5 m (36 in x 100 ft) |
| | UC744E | HP Installation Service with Network Setup |
| | U1XV4E | HP Preventive Maintenance Service |
| | U8PH0E | HP 3 year NBD* DesignJet T730 HW Support |
| | U8TY6E | HP 4 year NBD* DesignJet T730 HW Support |
| | U8PH1E | HP 5 year NBD* DesignJet T730 HW Support |
| | U8PH2PE | HP 1 year Post Warranty NBD* DesignJet T730 HW Support |
| U8TY7PE | HP 2 year Post Warranty NBD* DesignJet T730 HW Support | |

* Next Business Day.

HP DesignJet Support Services offer solutions for business critical environments — installation, extended support and maintenance, as well as a variety of value-added services. For more information, please visit hp.com/go/designjetsupport.

Use **Original HP inks** and printheads to experience consistent high quality and reliable performance that enable less downtime. These critical components are designed and engineered together as an optimized printing system to provide precise line accuracy as well as dark blacks. For more information, visit hp.com/go/OriginalHPInks.

For the entire **HP Large Format Printing Materials** portfolio, please see HPLFMedia.com.

Eco Highlights



- ENERGY STAR® certified and EPEAT Silver registered¹²
- Free, convenient HP ink cartridge recycling¹³
- FSC®-certified papers⁹ and a range of recyclable HP media with a take-back program¹³

Please recycle large-format printing hardware and printing supplies.

Find out how at our website
hp.com/ecosolutions

